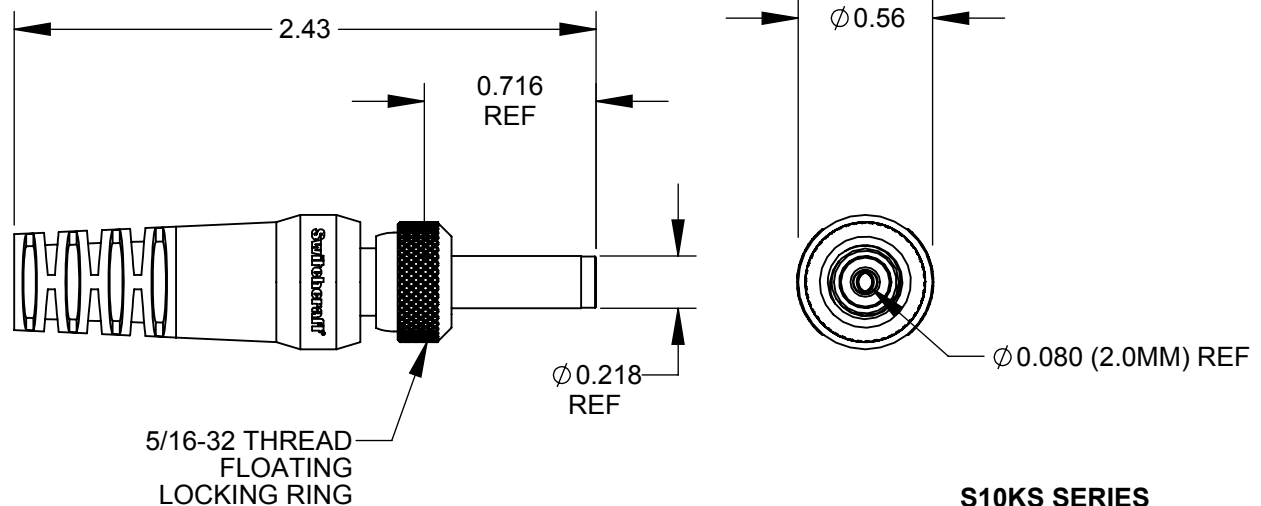
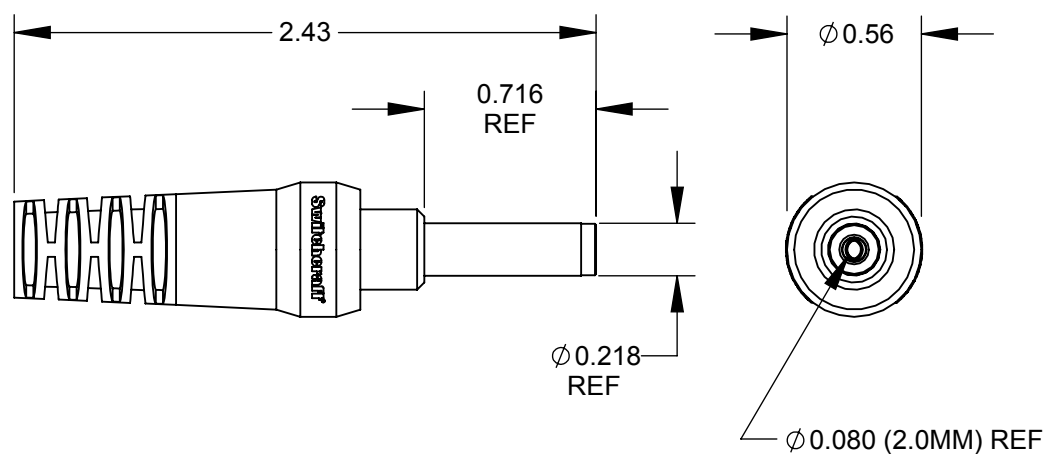


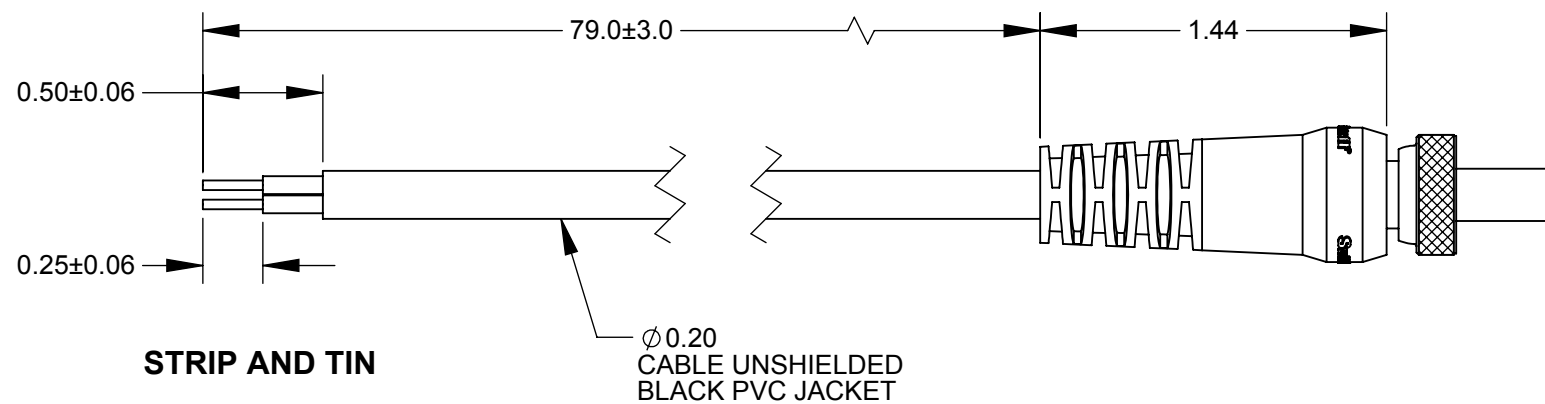
**761KS, 767KS, AND S761KS SERIES SEALED PLUGS**



**S10KS SERIES SEALED HI-AMP PLUG**



**S10 SERIES NON-SEALED NON-LOCKING HI-AMP PLUG**



WIRING TABLE	
POWER PLUG	WIRE COLOR
TIP	RED
SLEEVE	BLACK

**CA 07984**

CABLE ASSEMBLY

STRIP AND TIN  
1/2 INCH BY 1/4 INCH

79 INCHES (2 METERS) OF CABLE

SEALED PLUGS - 2 CONDUCTOR 20 AWG  
HI - AMP PLUGS - 2 CONDUCTOR 16 AWG

**761KS** - SEALED 0.100 (2.5MM)  $\phi$  ID  
**767KS** - SEALED 0.084 (2.1MM)  $\phi$  ID  
**S761KS** - SEALED 0.080 (2.0MM)  $\phi$  ID  
**S10KS** - HI AMP - SEALED 0.080(2.0MM)  $\phi$  ID  
**S10** - HI AMP NON-SEALED - 0.080(2.0MM)  $\phi$  ID  
 NON-LOCKING

**CUSTOMER DRAWING**

REV	ECO NUMBER	DATE	BY	APVD
A	27477	4/2/15	TJK	TJK
REVISIONS				

UNLESS OTHERWISE SPECIFIED

1. ALL DIMENSIONS IN INCHES

- TWO PLACE DECIMALS  $\pm 0.02$

- THREE PLACE DECIMALS  $\pm 0.005$

DO NOT SCALE DRAWING

THIS DRAWING DESCRIBES A DESIGN CONSIDERED PROPRIETARY IN NATURE, DEVELOPED AND MANUFACTURED BY SWITCHCRAFT INC. AND IS RELEASED ON A CONFIDENTIAL BASIS FOR IDENTIFICATION PURPOSES ONLY.									
SIZE	WIDTH	MULT	LBS/M	TEMPER					
FINISH SPEC No.					MATERIAL SPEC No.				
FIRST USED ON				SCALE 1.25:1					
DATE DRAWN	BY	CHKD	APVD						
3/19/15	AB	AB	TJK						
			3/19/15						
NAME				PART No.				REV	
CABLE ASSEMBLY - MOLDED STRAIGHT POWER PLUGS, RoHS				CA__07984				A	