

## PTEC™ Ionizers IN3425 Ionizing Gun

### Pin-Point Ionization In Compact Spaces

Transforming Technologies' IN3425 air ionizing nozzle is a highly efficient static eliminator that is perfect for compact or hard-to-reach areas. A small, self contained device, the IN3425 produces a powerful stream of ionized air to neutralize charges while cleaning particulate from surfaces. The unique size and shape allow the ionizer mounted in hard to reach areas and integrated into machines.

### Ionization For Your Unique Application

The IN3425 ionizer has optional nozzle tip attachments, that can handle unique and difficult point-of-use ionization applications. Spread ionized air in many unique ways such as wide angle, manifold, long range, angled, or with a flexible extension tube.

### Ptec™ Stability

The IN3425 uses a specialized piezoceramic technology that makes Ptec™ ionizers extremely reliable. The IN3425 ionizing nozzle combines exceptionally fast static decay capability with excellent balance stability, all in a small footprint.



### Features

- Pin-Point Precision Ionization
- Optional Nozzle Tips to Customize the Spread of Ionized Air.
- Small Footprint with Mountable Base
- Inherently Stable Ptec™ Technology
- Dense Output of High Frequency AC (68KHz) Ion Emission

### Applications:

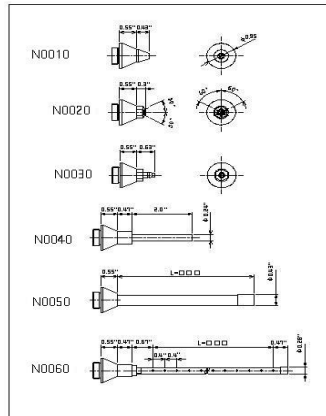
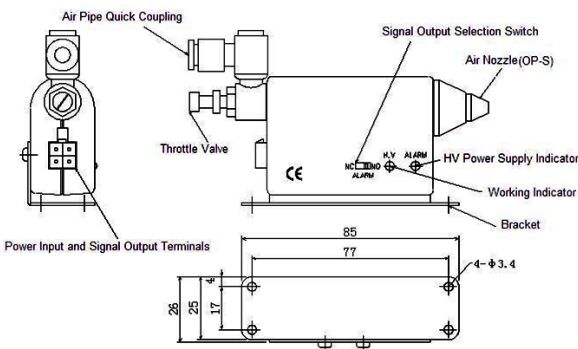
The IN3425 is designed to neutralize electrostatic charges in personal bench top environments, sensitive materials assembly, SMT, Electronics Assembly, Automotive Packaging, Cleanroom and Laboratory Environments.

This document is prepared for our customers as a service, and is to the best of our knowledge true and accurate. However, it is understood and agreed by the users of this document that we will accept no liability for the conclusions reached. Users of this document may therefore wish to perform additional testing before determining that products mentioned are suitable.

## IN3425 Ionizing Nozzle

### Ionization Performance

Discharge Time (in seconds)	Pressure( kgf / cm2)	45	55	70	85
	Positive Decay Time (sec)	0.4	0.4	0.3	0.3
	Negative Decay Time (sec)	0.5	0.4	0.3	0.3
	Ion Balance (V)	Within 0±30V			
Test is done according to ANSI/ESD STM3.1					



### Model IN3425 Ptec™ Specifications

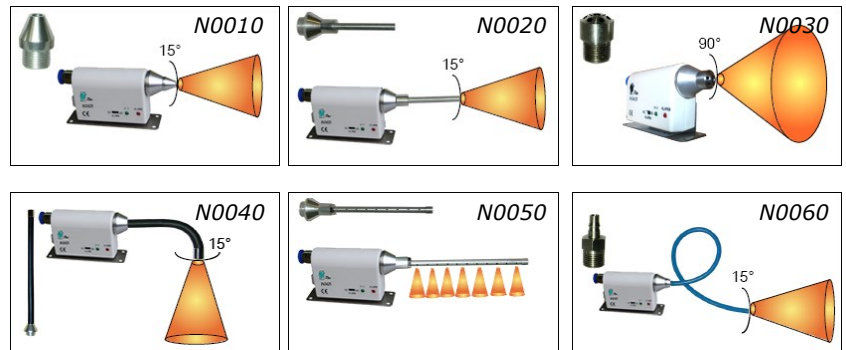
<b>Power Supply Volt</b>	AC 80V~240V 50/60Hz
<b>Optional DC Power Unit</b>	DC24V 200mA
<b>Output HV</b>	AC2200V
<b>Safety Performance</b>	Abnormal HV Alarm
<b>Balance</b>	±30 volts
<b>Decay Time</b>	1000V—100V,<2 seconds @ 6"
<b>Air line Requirements</b>	1/4" NPT
<b>Max. Air Range</b>	28—100 psi
<b>Ozone Density</b>	Less than 0.01 ppm
<b>LED Indicators</b>	Ionization: Green, Alarm: Red <b>Controls</b> On/off switch, variable fan speed <b>Mounting</b> (4) four mounting holes
<b>Emitter Points</b>	Alloy Discharge Needle
<b>Dimensions</b>	2.0"H x 1" x 4.5" D, (5.0 x 2.6 x 10.3 cm) (with standard output nozzle)
<b>Weight</b>	1.0lbs, (.45kg)
<b>Options</b>	Various nozzle tips, (see selection chart)
<b>Warranty</b>	1-year limited warranty
<b>Certifications</b>	



### Output Nozzle Options

The IN3425 comes with the IN0010 standard nozzle tip. Wide angle, long range, bendable, luer lock or manifold tips may be substituted depending on the application.

- N0010: Standard 15°
- N0020: Wide Angle
- N0030: Luer Lock
- N0040: Long Range
- N0050: Bendable
- N0060: Manifold



### About Transforming Technologies

Since 1998, Transforming Technologies has helped electronic manufacturing facilities to protect their products and processes from the many serious problems associated with static electricity.

Transforming Technologies offers a wide range of unique and outstanding products to detect, protect, eliminate and monitor electrostatic charges. Our products are integral components of an effective static control program.